



MARINE RADARS

MR-1200RII

(12.1-inch TFT, 4kW Radome Scanner)

MR-1200TII

(12.1-inch TFT, 4kW Open Array Scanner)

MR-1200TIII

(12.1-inch TFT, 6kW Open Array Scanner)

Easy-to-See Large 12.1-inch TFT Display Assists Your Safe Navigation

• Three Types of Scanner Units

MR-1200RII : 36NM range, 4kW radome scanner

MR-1200TII : 48NM range, 4kW open array scanner

MR-1200TIII: 72NM range, 6kW open array scanner



2-foot (60cm) radome scanner
for MR-1200RII



4-foot (120cm) open array scanner
for MR-1200TII/TIII

- 12.1-inch Large TFT Display (600x800 dots)
Slim Depth (119.2mm) and Light Weight (4.3kg)
- Simplified ATA (Automatic Tracking Aid) Function
- CPA, TCPA and Alarm Zone Functions
- English and Korean Indication
- Improved STC and Sidelobe
for Small Target Detection (For MR-1200RII)



Selectable Green or Red Rader Image



Green



Red

OTHER FEATURES

- The MR-1200RII/TII/TIII provides many useful features : 2 EBL's, 2 VRM's, sea clutter, rain clutter, off center, interference reduction, echo stretch, zoom, trail, long pulse and automatic tuning calibration function.
- If a crew member falls overboard, mark the MOB (man overboard) point on the display. The man overboard marker keeps the position on the display and shows the bearing, distance and estimated time to the MOB point*.

* External bearing, speed and position data are required.

- Simplified ATA (Automatic Tracking Aid) allows you to plot up to 10 targets and the radar automatically tracks the targets.
- The CPA (Closest Point Approach) and TCPA (Time to CPA) alarm gives an audible warning when the tracking targets come within the set range or time.
- The desired range and bearing can be set for the alarm zone. If other ships or islands come into the alarm zone, an audible alarm warns of a possible collision, even when the power save function turns the display off.

SPECIFICATIONS

DISPLAY UNIT

- | | | | |
|---------------------|---|-------------------------|----------------------------------|
| • Display type | : 12.1-inch TFT LCD | • Preheat time | : 90 seconds |
| • Resolution | : 600x800 dots | • Power supply | : 10.2-42V DC |
| • Minimum range | : 25m (at 1/8 NM range) | • Power consumption | : |
| • Maximum range | : | (at zero wind velocity) | |
| | MR-1200RII 36NM | MR-1200RII | 60W (approx.) |
| | MR-1200TII 48NM | MR-1200TII | 70W (approx.) |
| | MR-1200TIII 72NM | MR-1200TIII | 80W (approx.) |
| • Range scales (NM) | : | • Usable Temp. range | : -15°C to +55°C; +5°F to +131°F |
| | 1/8, 1/4, 1/2, 3/4, 1, 1.5, 2, 3, 4, 6, 8, 12, 16, | • Input data format | : NMEA 0183, N+1, AUX |
| | 24, 32, 36, 48 ¹ , 64 ² , 72 ² | • Output data format | : NMEA 0183 |
| | (*1 MR-1200TII/TIII only *2 MR-1200TIII only) | | |

SCANNER UNIT

- | | | |
|-----------------------------------|--|---|
| • Model Name | : MR-1200RII | MR-1200TII/MR-1200TIII |
| • Type | : 2ft (60cm) radome scanner | 4ft (120cm) open array scanner |
| • Rotation speed | : 24, 36rpm typ. | 22°, 24, 36, 48rpm typ. * MR-1200TIII only |
| • Beamwidth | Horizontal beam : 4° typ. | 2° typ. |
| | Vertical beam : 22° typ. | 25° typ. |
| • Sidelobe | : -22dB typ. | -24dB typ. |
| • Usable Temp. range | : -25°C to +70°C; -13°F to +158°F | -25°C to +70°C; -13°F to +158°F |
| • Usable humidity range | : Less than 95% (at 40°C) | Less than 95% (at 40°C) |
| • Frequency | : 9410MHz ±30MHz | 9410MHz ±30MHz |
| • Modulation | : P0N | P0N |
| • Peak output power | : 4kW | 4kW (MR-1200TII),
6kW (MR-1200TIII) |
| • Pulse-width/
repetition rate | : 80nS/2160Hz, 80nS/1440Hz,
250nS/1440Hz, 350nS/1440Hz,
350nS/720Hz, 900nS/720Hz | 80nS/2880Hz, 80nS/2160Hz,
250nS/2160Hz, 350nS/2160Hz,
900nS/720Hz, 900nS/660Hz*
* MR-1200TIII only |
| • Modulator | : FET switching | FET switching |
| • Intermediate frequency | : 60MHz | 60MHz |
| • IF bandwidth | : 10MHz, 3MHz | 10MHz, 3MHz |
| • Tuning | : Auto/manual selectable | Auto/manual selectable |
| • Supplied system cable | : 15m; 49.2ft; OPC-1188A | 20m; 65.6ft; OPC-1189A |

All stated specifications are subject to change without notice or obligation.

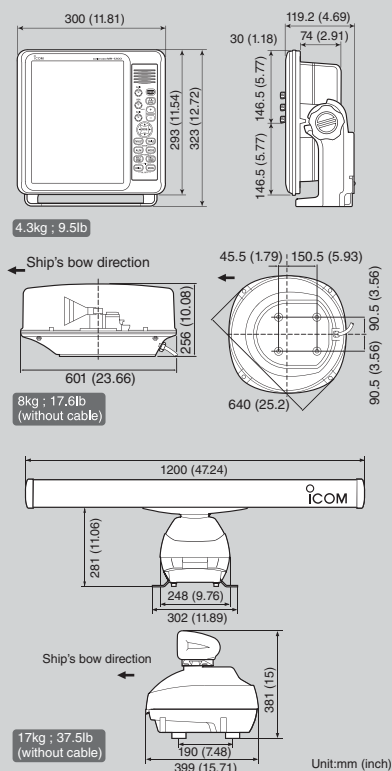
OPTIONS



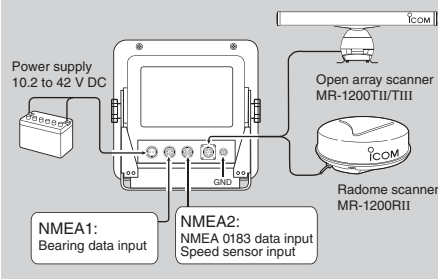
OPC-1077A

- OPC-1077A 20m (65.6ft) SYSTEM CABLE
- OPC-1078A 30m (98.4ft) SYSTEM CABLE

DIMENSIONS



SYSTEM CONNECTION



Icom, Icom Inc. and the Icom logo are registered trademarks of Icom Incorporated (Japan) in the United States, the United Kingdom, Germany, France, Spain, Russia, Japan and/or other countries.

Icom Inc. 1-1-32, Kami-minami, Hirano-ku, Osaka 547-0003, Japan Phone: +81 (06) 6793 5302 Fax: +81 (06) 6793 0013

www.icom.co.jp/world

Count on us!

Icom America Inc.

2380 116th Avenue NE,
Bellevue, WA 98004, U.S.A.
Phone: +1 (425) 454-8155
Fax: +1 (425) 454-1509
E-mail: sales@icomamerica.com
URL: <http://www.icomamerica.com>

Icom New Zealand

146A Harris Road, East Tamaki,
Auckland, New Zealand
Phone: +64 (09) 274 4062
Fax: +64 (09) 274 4708
E-mail: inquiries@icom.co.nz
URL: <http://www.icom.co.nz>

Icom (UK) Ltd.

Blacksale House, Altira Park,
Herne Bay, Kent, CT6 6GZ, U.K.
Phone: +44 (0) 1227 741741
Fax: +44 (0) 1227 741742
E-mail: info@icomuk.co.uk
URL: <http://www.icomuk.co.uk>

Asia Icom Inc.

6F No. 68, Sec. 1 Cheng-Teh Road,
Taipei, Taiwan, R.O.C.
Phone: +886 (02) 2559 1899
Fax: +886 (02) 2559 1874
E-mail: sales@asia-icom.com
URL: <http://www.asia-icom.com>

Your local distributor/dealer:

Icom Canada

Glenwood Centre #150-6165 Highway 17,
Delta, B.C., V4K 5B8, Canada
Phone: +1 (604) 952-4266
Fax: +1 (604) 952-0090
E-mail: info@icomcanada.com
URL: <http://www.icomcanada.com>

Icom (Europe) GmbH

Communication Equipment
Auf der Krautweide 24
65812 Bad Soden am Taunus, Germany
Phone: +49 (6196) 76685-0
Fax: +49 (6196) 76685-50
E-mail: info@icomeurope.com
URL: <http://www.icomeurope.com>

Icom France s.a.s.

Zac de la Plaine,
1 Rue Brindejonc des Moulinais, BP 45804,
31505 Toulouse Cedex 5, France
Phone: +33 (5) 61 36 03 03
Fax: +33 (5) 61 36 03 00
E-mail: icom@icom-france.com
URL: <http://www.icom-france.com>

Icom (Australia) Pty. Ltd.

Unit 1 / 103 Garden Road,
Clayton, VIC 3168 Australia
Phone: +61 (03) 9549 7500
Fax: +61 (03) 9549 7505
E-mail: sales@icom.net.au
URL: <http://www.icom.net.au>

Icom Spain S.L.

Ctra. Rubi, No. 88 "Edificio Can Castanyer"
Bajos A 08174, Sant Cugat del Valles,
Barcelona, Spain
Phone: +34 (93) 590 26 70
Fax: +34 (93) 589 04 46
E-mail: icom@icomspain.com
URL: <http://www.icomspain.com>

Icom Polska

81-850 Sopot, ul. 3 Maja 54, Poland
Phone: +48 (58) 550 7135
Fax: +48 (58) 551 0484
E-mail: icompolkska@icompolkska.com.pl
URL: <http://www.icompolkska.com.pl>